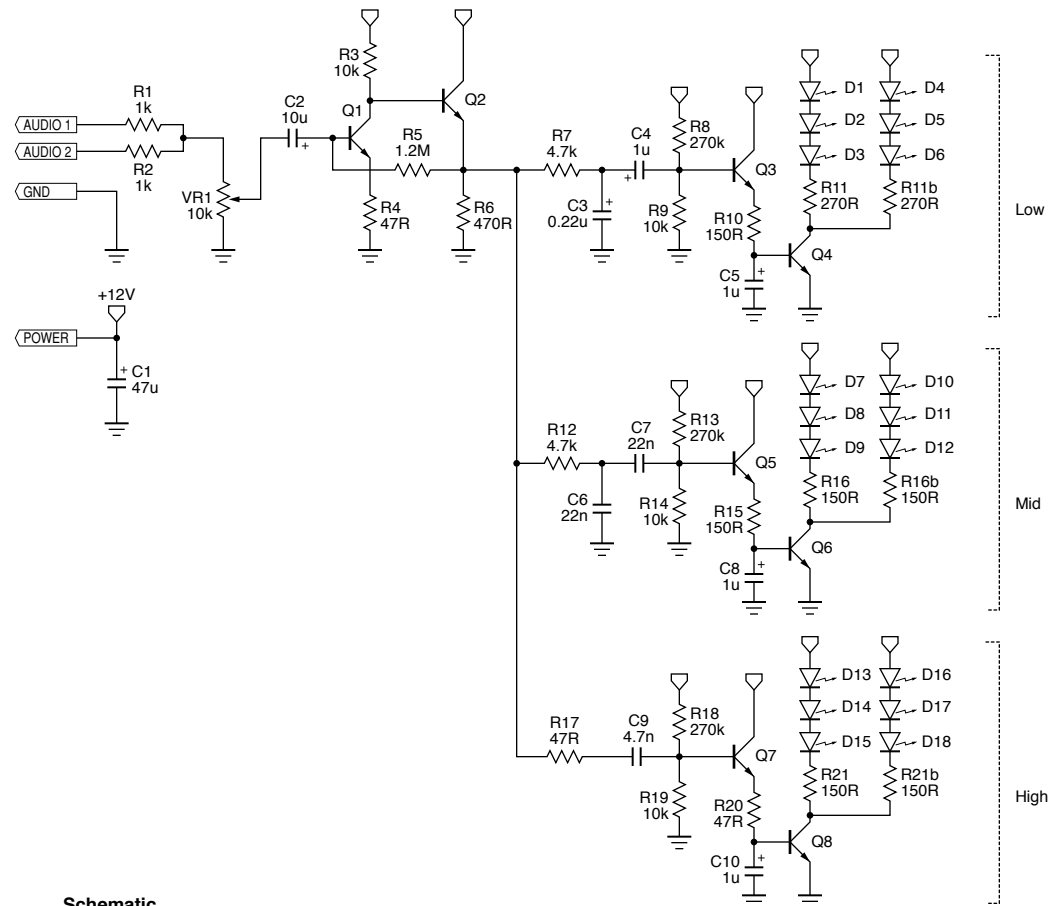


Filter Responses



Schematic

BOM

- | | | |
|-----------------------------------|----------------------------|----------------------------------|
| 3x 47 ohm - R4,17,20 | 3x 270k ohm - R8,13,18 | 3x 4.7uF EC - C5,8,10 |
| 6x 150 ohm - R10,15,16,16b,21,21b | 1x 1.2M ohm - R5 | 1x 10 uF EC 16V or higher - C2 |
| 2x 270 ohm - R11,11b | 1x 10k (50k) ohm pot - VR1 | 1x 47uF EC 16V or higher - C1 |
| 1x 470 ohm - R6 | 1x 4.7nF (0.0047uF) - C9 | 8x MPS2222A or Equivalent - Q1-8 |
| 2x 1k ohm - R1,2 | 2x 22nF (0.022uF) - C6,7 | 6x Red LED - D1-6 |
| 2x 4.7k ohm - R7,12 | 1x 0.22uF EC - C3 | 6x Green LED - D7-12 |
| 4x 10k ohm - R3,9,14,19 | 1x 1uF EC - C4 | 6x Blue LED - D13-18 |

Title Color Organ Triple Deluxe 2			
Date 12/29/2012	Rev. 3c	Sheet 1 of 1	
Designed by Akimitsu Sadoi			